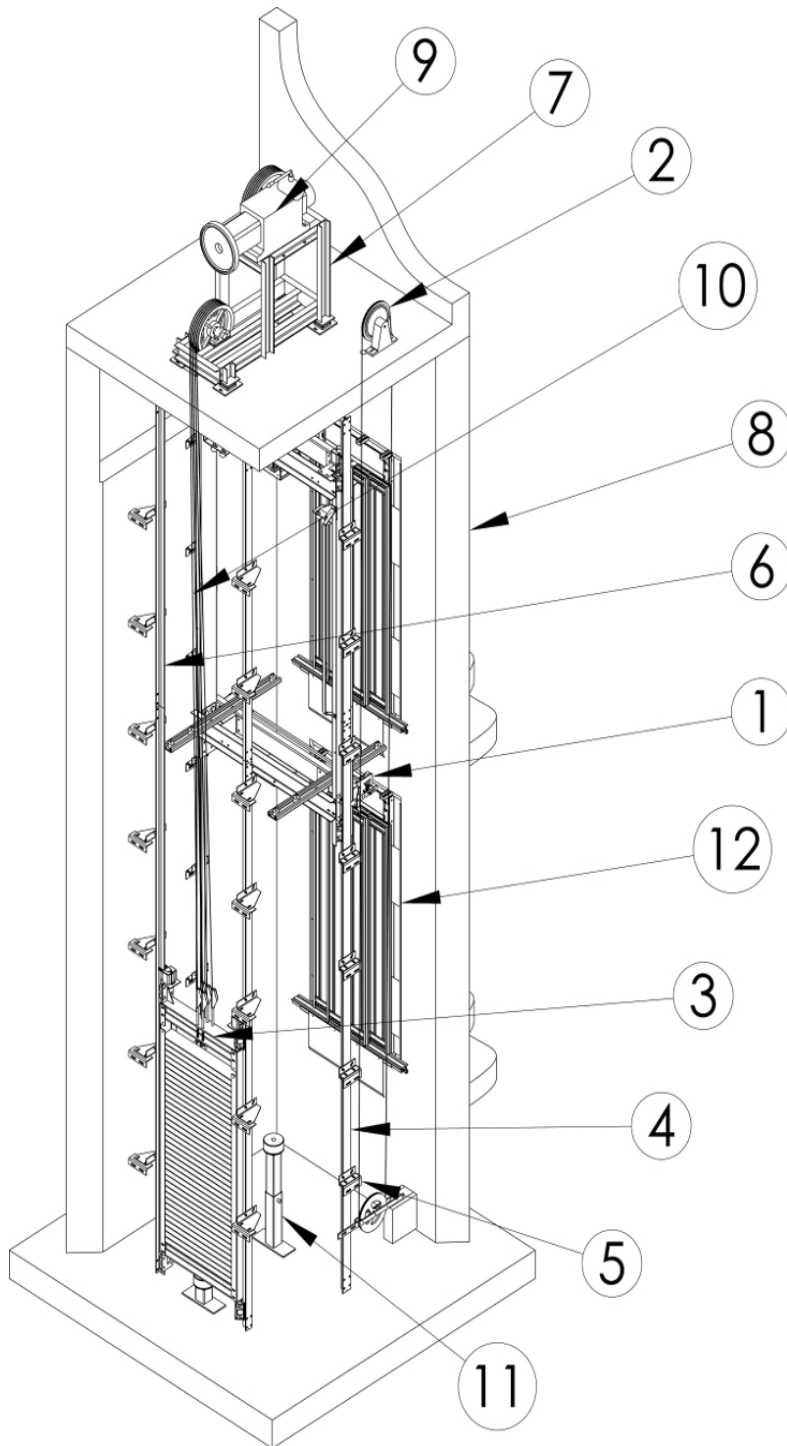


TRACTION MACHINE ROOM RANGE OF APPLICATION



1.	CAR SLING
2.	SPEED GOVERNOR
3.	COUNTERWEIGHT FRAME
4.	CAR GUIDE RAILS
5.	GUIDE RAIL BRACKETS
6.	COUNTERWEIGHT GUIDE RAILS
7.	MACHINE SUPPORT
8.	SHAFT WALL
9.	MACHINE
10.	ROPES
11.	BUFFER BASE
12.	LANDING DOORS

Technical specification

Type		TRACTION Machine Room												
Rated Load:		300 Kg			450 Kg			630 kg			750 kg			
No of Persons:		4			6			8			10			
Acting:		1			1:1			1:1			1:1			
Supported load (P + Q)max		1050 Kg			1250 Kg			1500 Kg			1750 Kg			
Min Pit Depth:		1200 mm			1200 mm			1200 mm			1200 mm			
Car guide Rails:		T70x65x9			T70x65x9			T70x65x9			T75x62x10			
CW guide Rails:		T45x45x5			T45x45x5			T50x50x5			T50x50x5			
Buffer type:		V ≤ 1.0 m/s												
		ENERGY ACCUMULATION (ELASTIC)												
Buffer type:		1.0 < V ≤ 1.6 m/s												
		ENERGY DISSIPATION (HYDRAULIC)												
Max travel:		30	50m	70m	30m	50m	70m	30m	50m	70m	30m	50m	70m	
Minimum compen. chains:		Not req.	50%	70%	Not req.	50%	70%	Not req.	50%	70%	Not req.	50%	70%	
Machine type: (Alberto Sassi)		0.63 m/s AC2		GEKO - Ø400 mm			LEO - Ø400 mm			LEO - Ø400 mm			TORO - Ø520 mm	
		1.00 m/s VVVF		MODY - Ø400 mm			LEO - Ø400 mm			LEO - Ø400 mm			TORO - Ø520 mm	
		1.6 m/s VVVF		MODY - Ø400 mm			LEO - Ø400 mm			MF48 - Ø400 mm			TORO - Ø520 mm	
Motor Power:		0.63 m/s AC2		3.5 kW			3.5 kW			4.9 kW			5.5 kW	
		1.00 m/s VVVF		2.9 kW			4.4 kW			6.3 kW			7.0 kW	
		1.6 m/s VVVF		6.3 kW			7.7 kW			10.3 kW			9.9 kW	
Ropes:		4xØ10 mm			4xØ10 mm			5xØ10 mm			4xØ11 mm			

Technical specification

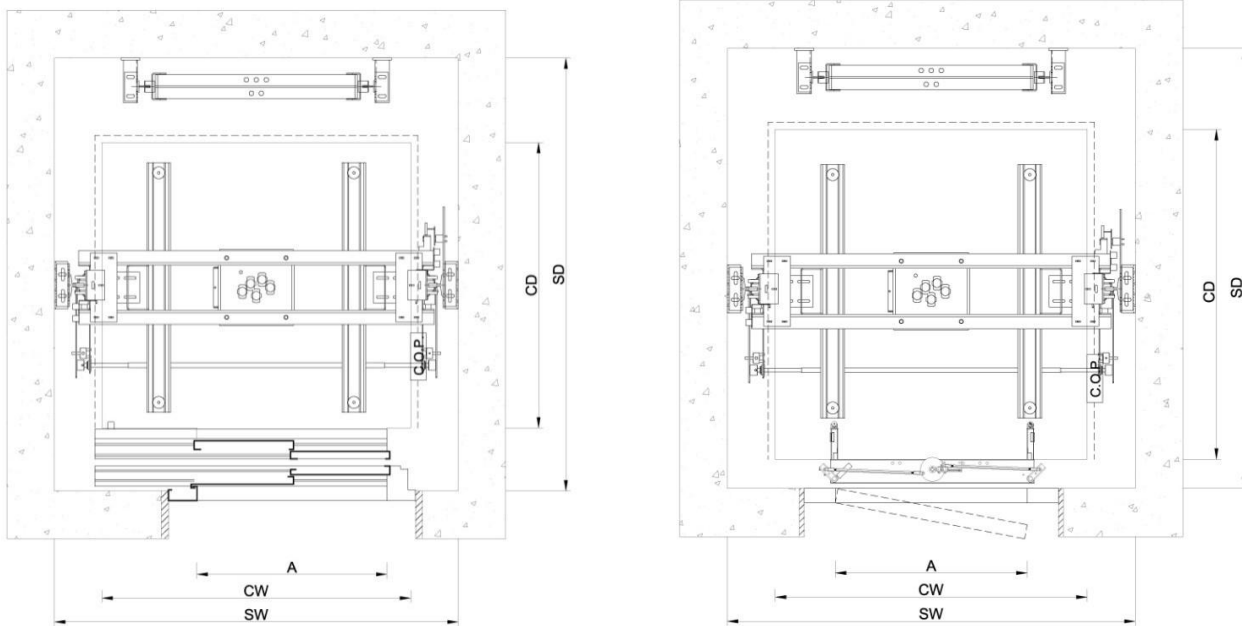
Type		TRACTION Machine Room											
Rated Load:		1000 kg			1200 kg			1600 Kg			1800 Kg		
No of Persons:		13			16			21			24		
Acting:		1:			1:			2:1			2:		
Supported load (P + Q)max		2100 Kg			2450 Kg			3150 Kg			3500 Kg		
Min Headroom	V ≤ 1.0 m/s	3400											
	1.0 < V ≤ 1.6 m/s	3600											
Min Pit Depth:		1200 mm			1200			1200 mm			1200		
Car guide Rails:		T75x62x10			T89x62x16			T89x62x16			T114x89x16		
CW guide Rails:		T50x50x5			T50x50x5			T50x50x5			T50x50x5		
Buffer type:	V ≤ 1.0 m/s	ENERGY ACCUMULATION (ELASTIC)											
	1.0 < V ≤ 1.6 m/s	ENERGY DISSIPATION (HYDRAULIC)											
Max travel:		30m	50m	70m	30m	50m	70m	30m	50m	70m	30m	50m	70m
Minimum compen. chains:		Not req.	50%	70%	Not req.	50%	70%	Not req.	50%	70%	Not req.	50%	70%
Machine type: (Alberto Sassi)	0.63 m/s AC2	TORO - Ø520 mm			MF84 - Ø520 mm			TORO - Ø600 mm			MF84 - Ø600 mm		
	1.00 m/s VVVF	TORO - Ø520 mm			MF84 - Ø520 mm			TORO - Ø600 mm			MF84 - Ø600 mm		
	1.6 m/s VVVF	TORO - Ø520 mm			MF84 - Ø520 mm			MF84 - Ø750 mm			MF94 - Ø650 mm		
Motor Power:	0.63 m/s AC2	7.3 kW			9.9 kW			11 kW			11 kW		
	1.00 m/s VVVF	9.6 kW			11.4 kW			20.6 kW			18.8 kW		
	1.6 m/s VVVF	13.6 kW			16.2 kW			21.7 kW			24.3 kW		
Ropes:		6xØ11 mm			7xØ12mm			6xØ10 mm			7xØ10 mm		

Technical specification

Type:		TRACTION Machine Room														
Rated Load:		2000 Kg			2300 Kg			2500 kg			2800 kg			3000 kg		
No of Persons:		26			30			33			37			40		
Acting:		2:1			2:1			2:1			2:1			2:1		
Supported load (P + Q)max		4300 Kg			4700 Kg			5000 Kg			5800 Kg			6100 Kg		
Min Headroom	V ≤ 1.0 m/s	3400 mm						3500 mm								
	1.0 < V ≤ 1.6 m/s	3600 mm						3700 mm								
Min Pit Depth:		1200 mm			1200 mm			1200 mm			1200 mm			1200 mm		
Car guide Rails:		T114x89x16			T114x89x16			T114x89x16			T114x89x16			T114x89x16		
CW guide Rails:		T50x50x5			T70x65x9			T70x65x9			T70x65x9			T70x65x9		
Buffer type:	V ≤ 1.0 m/s	ENERGY ACCUMULATION (ELASTIC)														
	1.0 < V ≤ 1.6 m/s	ENERGY DISSIPATION (HYDRAULIC)														
Max travel:		30m	50m	70m	30m	50m	70m	30m	50m	70m	30m	50m	70m	30m	50m	70m
Minimum compen. chains:		Not req	50%	70%	Not req	50%	70%	Not req	50%	70%	Not req	50%	70%	Not req	50%	70%
Machine type: (Alberto Sassi)	0.63 m/s AC2	MF84 - Ø600 mm			MF84 - Ø600 mm			MF94 - Ø600 mm			MF94 - Ø600 mm			MF94 - Ø600 mm		
	1.00 m/s VVVF	MF84 - Ø600 mm			MF84 - Ø600 mm			MF94 - Ø650 mm			MF94 - Ø650 mm			MF94 - Ø650 mm		
	1.6 m/s VVVF	MF94 - Ø650 mm			MB94 - Ø650 mm			MB94 - Ø650 mm			MB94 - Ø650 mm			MB94 - Ø650 mm		
Motor Power:	0.63 m/s AC2	12.9 kW			14.7 kW			16.2 kW			18.4 kW			19.1 kW		
	1.00 m/s VVVF	21.0 kW			24.3 kW			21.3 kW			23.9 kW			25.4 kW		
	1.6 m/s VVVF	26.8 kW			29.3 kW			31.4 kW			35.4 kW			37.5 kW		
Ropes:		8xØ10 mm			8xØ11 mm			8xØ11 mm			8xØ12 mm			8xØ12 mm		

Single entrance – Counterweight at the back

Plan view

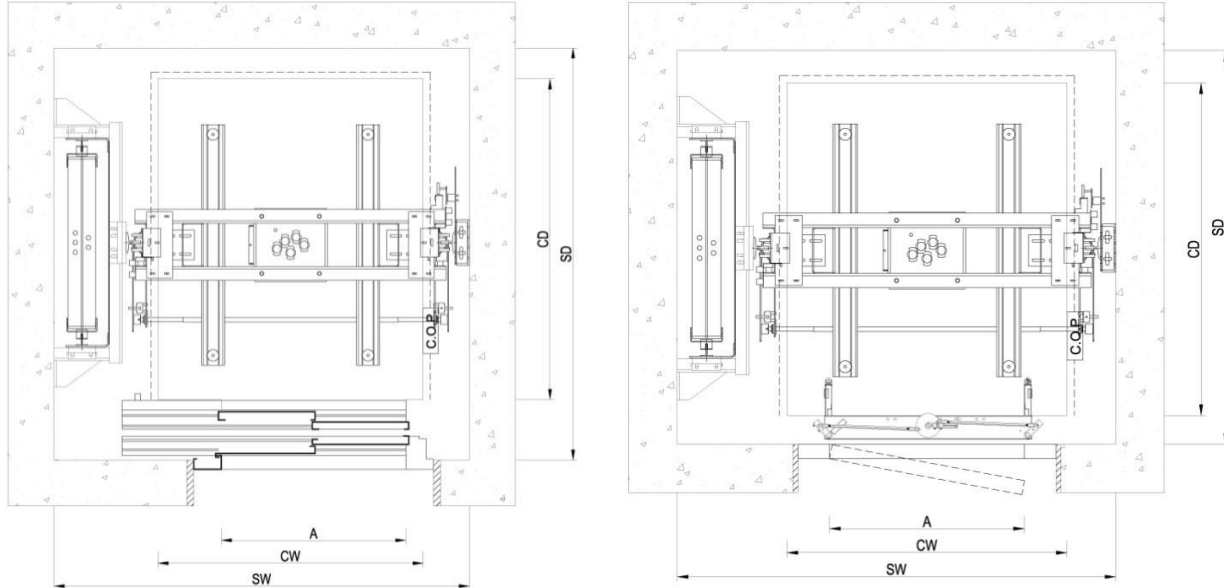


Passenger Traction Lift Counterweight at Back

Capacity		Automatic Doors 2 Panels Telescopic Opening					Semi-automatic Landing Doors - Cabin Doors Type Bus				
Persons	Kg	A	CW	CD	SW	SD	A	CW	CD	SW	SD
4	300	700	1000	900	1400	1500	700	1000	900	1400	1350
6	450	800	1100	1150	1550	1750	800	1100	1150	1500	1600
8	630	800	1100	1400	1550	2000	800	1100	1400	1500	1850
10	750	800	1200	1550	1600	2150	800	1200	1550	1600	2000
13	1000	900	1300	1800	1700	2400	900	1300	1800	1700	2250
16	1200	1000	1350	2000	1850	2600	1000	1350	2000	1750	2450
21	1600	1100	1400	2400	2100	3000	1100	1400	2400	1800	2850
24	1800	1200	1500	2500	2200	3100	1100	1500	2500	1950	2950
26	2000	1300	1600	2600	2300	3200	1100	1600	2600	2050	3050
30	2300	1300	1700	2700	2300	3300	1100	1700	2700	2150	3150
33	2500	1300	1800	2700	2300	3300	1100	1800	2700	2250	3150
37	2800	1300	1900	2800	2400	3400	1100	1900	2800	2400	3250
40	3000	1300	2000	2900	2500	3500	1100	2000	2900	2500	3350

Single entrance – Counterweight at the side

Plan view

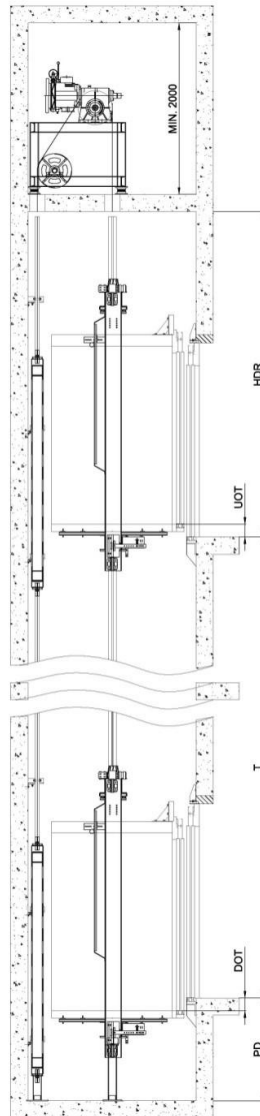


Passenger Traction Lift Counterweight at Side

Capacity		Automatic Doors 2 Panels Telescopic Opening					Semi-automatic Landing Doors - Cabin Doors Type Bus				
Persons	Kg	A	CW	CD	SW	SD	A	CW	CD	SW	SD
4	300	700	1000	900	1650	1300	700	1000	900	1650	1100
6	450	800	1100	1150	1750	1550	800	1100	1150	1750	1350
8	630	800	1100	1400	1750	1800	800	1100	1400	1750	1600
10	750	800	1200	1550	1850	1950	800	1200	1550	1850	1750
13	1000	900	1300	1800	1950	2200	900	1300	1800	1950	2000
16	1200	1000	1350	2000	2000	2400	1000	1350	2000	2000	2200
21	1600	1100	1400	2400	2100	2800	1100	1400	2400	2100	2600
24	1800	1200	1500	2500	2200	2900	1100	1500	2500	2200	2700
26	2000	1300	1600	2600	2350	3000	1100	1600	2600	2350	2800
30	2300	1300	1700	2700	2450	3100	1100	1700	2700	2450	2900
33	2500	1300	1800	2700	2550	3100	1100	1800	2700	2550	2900
37	2800	1300	1900	2800	2700	3200	1100	1900	2800	2700	3000
40	3000	1300	2000	2900	2800	3300	1100	2000	2900	2800	3100

Layout arrangement:

Section view



HDR	HEADROOM	3400-3500 mm(min)/ 3600-3700 mm(min)
UOT	UP OVERTRAVEL	100 mm(min)
T	TRAVEL	70000 mm(max)
PD	PIT DEPTH	1200 mm(min)
DOT	DOWN OVERTRAVEL	100 mm(min)